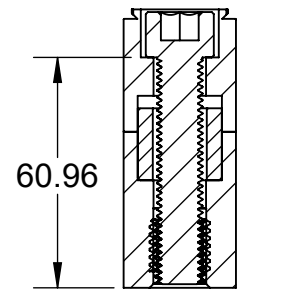
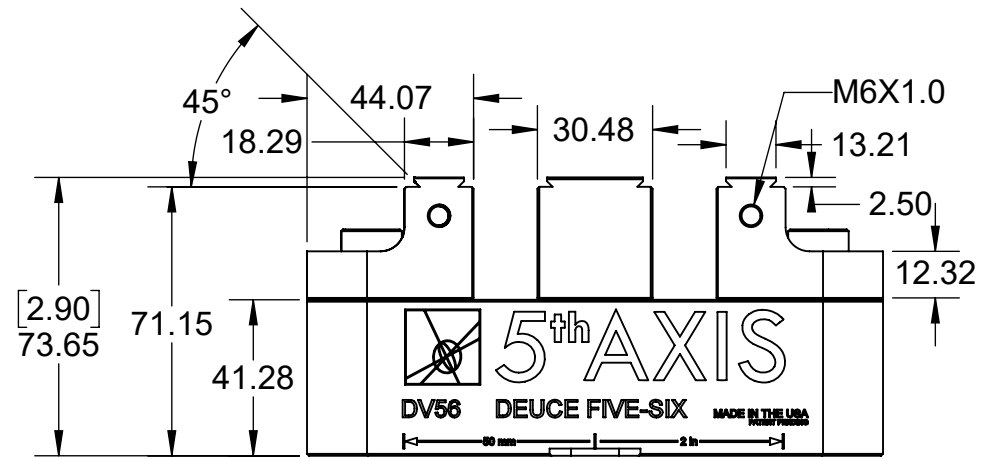
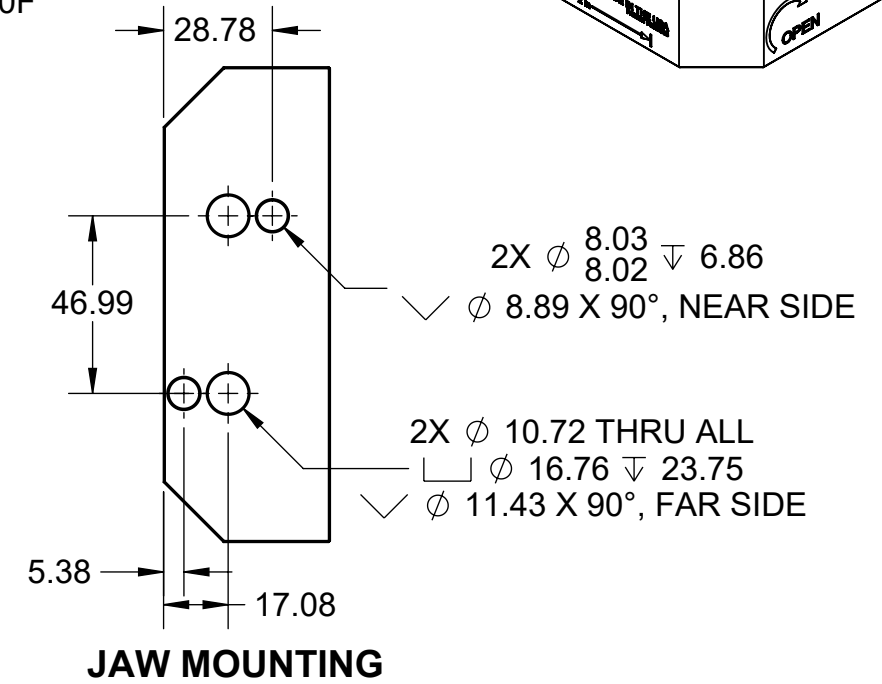
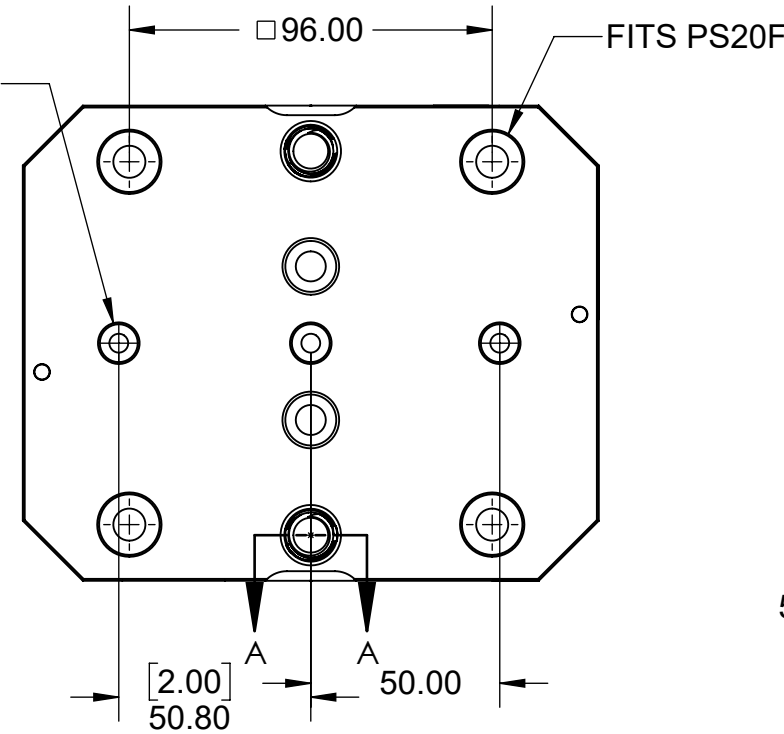
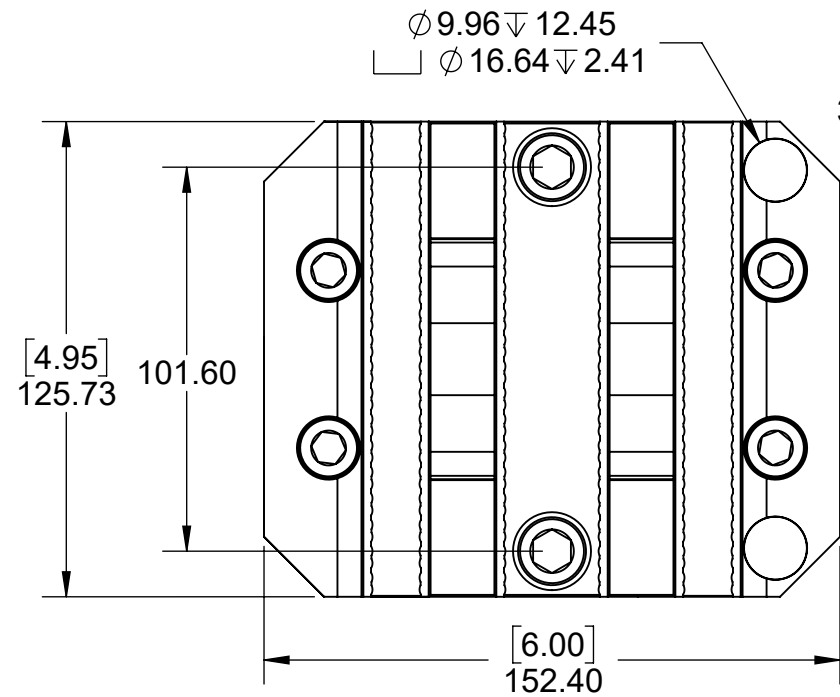
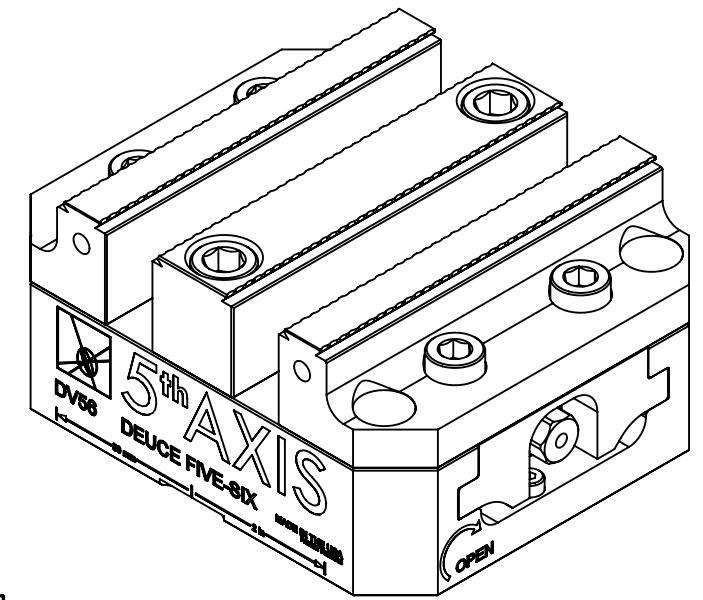



DV56-J1



| | | | | | |
|---|--|---|----------------|---|--------------|
| MILLIMETER | | TOLERANCES UNLESS OTHERWISE SPECIFIED | |  | |
| DRAWN IN ACCORDANCE WITH ASME Y14.5-2009 | | $x \pm 0.1$ $.xx \pm 0.01$ $.x \pm 0.05$ $.xxx \pm 0.005$ ANGULAR $\pm 0.5^\circ$ THIRD ANGLE PROJECTION | | | |
| WWW.5THAXIS.COM | | DESCRIPTION | | NEED ACCURATE TITLE | |
| 7140 ENGINEER ROAD SAN DIEGO, CA 92111 | | SIZE | PART NO. | REV | |
| P (858) 505-0432 F (858) 505-9344 | | B | DV56-J1 | A | |
| | | DO NOT SCALE DRAWING | SCALE 1:2 | WEIGHT: TBD | SHEET 1 OF 2 |

8

7

6

5

4

3

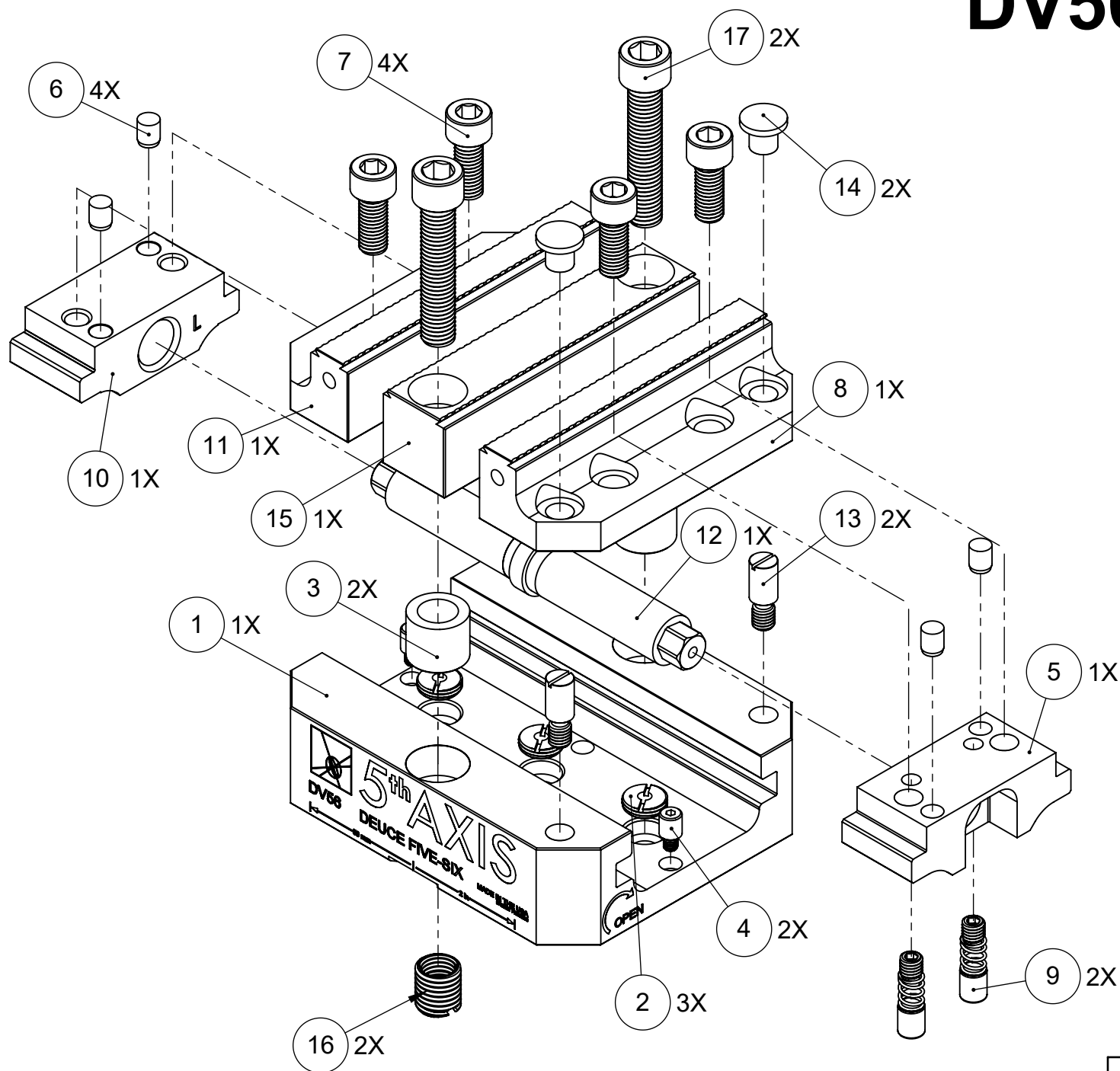
2

1

D

D

DV56-J1



| ITEM NO. | PART NUMBER | DESCRIPTION | QTY. |
|----------|------------------|---|------|
| 1 | V562DV-1 | BASE, 5" X 6", DUAL VISE | 1 |
| 2 | M6X1.0 | THREADED METRIC INSERT: 5/8-18-LH TO M6X1.0 | 3 |
| 3 | .0875X.75 | BUSHING, DRILL, 7/8" OD, 9/16" ID, 3/4" LENGTH | 2 |
| 4 | LP8 | LOCATING PIN, 8mm | 2 |
| 5 | V562M-2RDV | TRUCK, RIGHT HAND, 125mm, FRICTION PIN, DUAL VISE | 1 |
| 6 | M8X12 | DOWEL PIN, M8 X 12mm | 4 |
| 7 | 76300 | SOCKET HEAD CAP SCREW, M10-1.5 X 25mm | 4 |
| 8 | V562M-5F | JAW, HARD, FIXED, 5" (125mm), DUAL VISE | 1 |
| 9 | DV5 Friction Pin | | 2 |
| 10 | V562M-2L | TRUCK, LEFT HAND | 1 |
| 11 | V562M-5 | JAW, HARD, 125mm, SELF CENTERING AND DUAL VISE | 1 |
| 12 | V56124-4 | LEAD SCREW, 150mm, SELF CENTERING VISE | 1 |
| 13 | HW.BASE.PLUG | PLUG, DUAL VISE, BASE, M8-1.25 | 2 |
| 14 | HW.JAW.PLUG | PLUG, DUAL VISE, FIXED JAW, 10mm | 2 |
| 15 | DV56-5C | JAW, HARD, FIXED CENTER, 1", DUAL VISE | 1 |
| 16 | EZ LOK M12-1.75 | | 2 |
| 17 | TBD | SOCKET HEAD CAP SCREW, M12-1.75 x 60mm | 2 |

C

C

B

B

A

A

8

7

6

5

4

3

2

1

| | | | | |
|---|---|--|----------------------------|-----------------------------|
| MILLIMETER <small>DRAWN IN ACCORDANCE WITH ASME Y14.5-2009</small> <small>WWW.5THAXIS.COM</small> <small>7140 ENGINEER ROAD SAN DIEGO, CA 92111</small> <small>P (858) 505-0432 F (858) 505-9344</small> | TOLERANCES <small>UNLESS OTHERWISE SPECIFIED</small> x ± 0.1 .xx ± 0.01 .x ± 0.05 .xxx ± 0.005 ANGULAR ± 0.5° <small>THIRD ANGLE PROJECTION</small> | | | |
| | | DESCRIPTION DUECE FIVE-SIX J1 DOUBLE-STATION VISE | | |
| SIZE B | | PART NO. DV56-J1 | | REV A |
| <small>DO NOT SCALE DRAWING</small> | | <small>SCALE 1:2</small> | <small>WEIGHT: TBD</small> | <small>SHEET 2 OF 2</small> |

8

7

6

5

4

3

2

1